

High Definition LED Minor Surgical Lighting



HD LED Medical Lighting

'High Definition LED'
 The latest surgical quality lighting system
 Never change another bulb due to 30,000 hour LED life.



The Astralite HD-LED[®] retains all the unique features of the halogen Astralite, such as the large movement range and anti-microbial technology moulded in the lamp head, but it also uses the latest in LED technology to provide the following:

- **Full Spectrum Colour Rendition** – the first LED lighting with near perfect colour rendition across the full visible spectrum. This reduces eye strain and enables small differences in the tissue to be distinguished easily.
- **Fat Beam Illumination** – Big, adjustable light beams with more light across the full width of the illuminated area. This allows for uniform vision across the full illuminated area.
- **Red Balance Control** – Red balance enhancement compensates for our natural weakness in distinguishing shades of red for optimum visualization of red tissues.
- **Cold Light** – LED's do not emit infra red light thus producing 'cold light', i.e. light from the visible spectrum without heat rays.
- **Long Life** – the life of LED's is around 30,000 hours which would be the lifetime of the product.
- **Efficiency** - HD-LED[®] is massively more efficient at producing more surgical quality light for less power ensuring the light is both economical and environmentally friendly. Using less than 30W the Astralite HD-LED[®] is a massive 3 times reduction in power consumption in comparison to the halogen model.

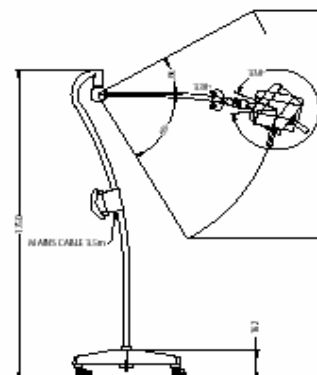
Models Available

Astralite HD LED Mobile
 Astralite HD LED Wall Mounted
 Astralite HD LED Ceiling Mounted
 Astralite Spare Handle Cover

Technical Information

Lux @ 1m	=	50,000
Beam Size Variable	=	180mm - 360mm
Variable Intensity	=	10% - 100%
Colour Rendition R ^a	=	95

Solid state focus system



Astralite Mobile Model –movement range

